

SHOCKS, STRAPS & BOLT KITS

HENDRICKSON SHOCKS BY APPLICATION

Part Number	Application
S-22311	AA230L/AA250L STANDARD DUTY 6 1/2" TO 8" RIDE HEIGHT
S-23290	AA230L/AA250L STANDARD DUTY 8 1/2" TO 10" RIDE HEIGHT
S-23013	AA230L/AA250L STANDARD DUTY 10 1/2" TO 15" RIDE HEIGHT
S-23315	AA230L/AA250L STANDARD DUTY 15 1/2" TO 21" RIDE HEIGHT
S-22312	AA230L/AA250L EXTENDED SERVICE HIGH DAMPING, 6 1/2" TO 8" RIDE HEIGHT
S-23291	AA230L/AA250L EXTENDED SERVICE HIGH DAMPING, 8 1/2" TO 10" RIDE HEIGHT
S-23014	AA230L/AA250L EXTENDED SERVICE HIGH DAMPING, 10 1/2" TO 15" RIDE HEIGHT
S-23316	AA230L/AA250L EXTENDED SERVICE HIGH DAMPING, 15 1/2" TO 21" RIDE HEIGHT
S-23566	AAT23K & AAT25K STANDARD DUTY
S-23361	AAT23K & AAT25K LIMITED REBOUND
S-24023	AAT30K AND SOME AAT23K & AAT25K MODELS EXTENDED SERVICE HIGH DAMPING
S-21292	HK190T/HK230
S-24088	HKA180
S-23566	HKA200
S-24023	HKA250
S-20001	ALL HT190T & HT190U ALL MODELS EXCEPT BELOW
S-20002	HT190U-7.5-517
S-2212	HT190U-6.75-001 THRU 003 & U-6.75-020
S-23649	HT190U-9-022 & HT190UB7-021
S-20002	HT230 ALL MODELS EXCEPT BELOW
S-2160	HT230-14-007, 14-011, 15-007, 15-011, 15-012, 15-028, TA14-007, TA15-007, TA16-007, TA17-007, TB14-033 & TB15-028
S-20126	HT230-14-017, 15-017, 15-517, 17-517, TA15-517, TA15-520 & TA17-517
S-2212	HT230-14-020, 14-021 & TA14-021
B-22345	HT230TA14-020
S-21553	HT230TA15-521, & TA17-521
S-21699	HT230TA15-522 & TA17-522
S-2212	HT250T
S-20002	HT250U ALL MODELS EXCEPT BELOW
S-21553	HT250U-6.5-027, U-9-027, U-9-028, U-14-028, UB6.5-522, UB7.5-027, UB7.5-522, UB9-522, UB12-027, UB12-028, UB14-027 & UB14-028
S-1667	HT-250U-7.5-021 & U-7.5-022
S-2212	HT250U-9-020, U-9-021, U-9-023, U-9.2-026, U-15-022, UB9-022 & UB15-022
S-20126	HT250U-6.5-517, U-7.5-017, U-7.5-517, U-9-517, U-12-517, U-14-517, UB6.5-517 & UB7.5-517
S-2160	HT250U-6.5-030 & U-6.5-031

SHOCKS TO SHOCK STRAP KITS

Shock	Shock Strap Kit
S-20001	S-14587-1
S-20002	S-14587-1
S-20126	S-14587-8
S-21292	S-14587-9
S-21553	S-14587-8
S-1667	S-14587-1
S-2160	S-14587-2
S-2212	S-14587-3
S-23361	C-23086-7
S-23566	C-23086-1
S-23649	C-23086-5
S-23650	C-23086-3
S-23651	C-23086-4
S-23743	C-23086-3
S-24023	C-24041-1
S-24088	C-23086-1

SHOCK BOLT KITS

Application	Part Number
AA230L/250L	S-24757/2
AAT23K/25K*	S-20896/2
AAT23K/25K**	S-24021
AAT30K***	S-20031/2
HK190T/230	S-20031/2
HKA180/200/250	S-24049/2
HT190T****	
HT190U****	
HT230****	
HT250T	S-20031/2
HT250U	S-2157/2

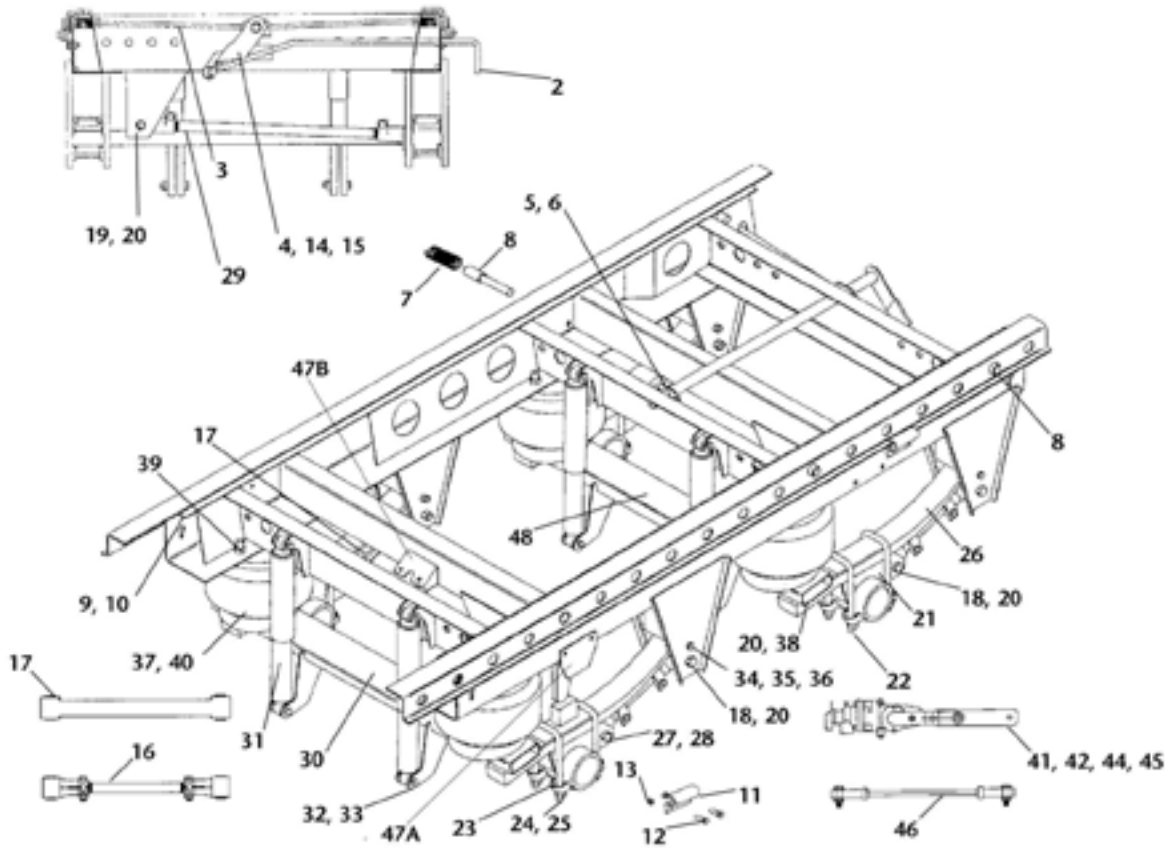
* AAT23K/25K BEFORE 8/11/95

** AAT23K/25K AFTER 8/11/95 AND AAT30K FRONT MOUNTED SHOCK

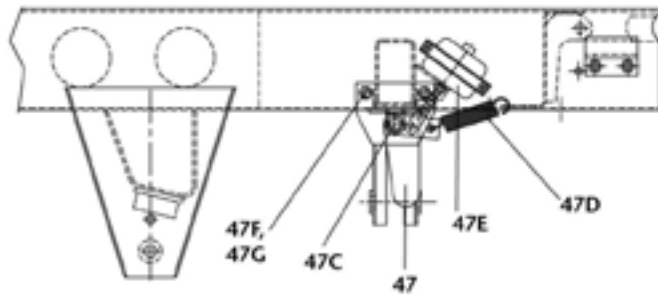
*** REAR MOUNTED SHOCK

**** MULTIPLE OPTIONS, SEE HENDRICKSON CATALOG

HOLLAND BINKLEY AIRLITE 2 COMPONENTS



Optional Air Level

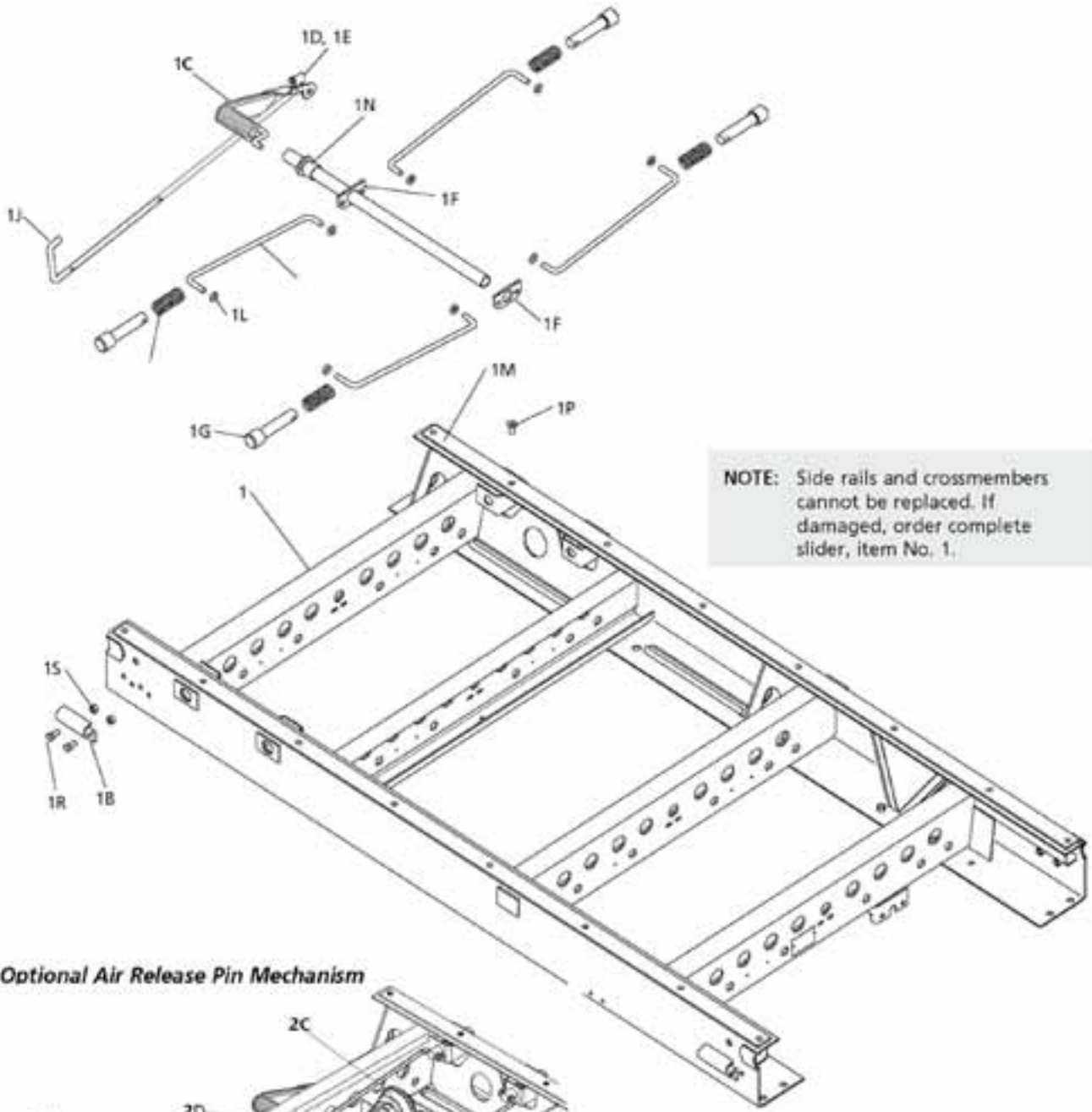


HOLLAND BINKLEY AIRLITE 2 COMPONENTS

Item	Part Number	Description
1	N/A	SUB FRAME ASSEMBLY
2	SLOA1122-42	PULL ARM, 42" FRAME WIDTH
	SLOA1122-48	PULL ARM, 48" FRAME WIDTH
3	SLOA1058-02	LINKAGE ARM 42" FRAME WIDTH
	SLOA1058-01	LINKAGE ARM 48" FRAME WIDTH
4	SL0019-01	QUICK RELEASE REPLACEMENT KIT
5	SL00523-01	SPACER
6	SL0994	TORSION CAM
7	XB-SPG-020-33	COMPRESSION SPRING
8	SLOA1056	LOCK PIN
9	XB-STS-008-16	SELF TAPPING SCREW, 5/16"-18 X 3/4"
10	XB-SLOA1054	SLIDER PAD, 96" LONG
11	SL0893	HOLD DOWN BRACKET
12	XB-HHC-001-33	HEX CAP SCREW, 1/2"-13 X 1 1/4"
13	XB-SLN-012-42	LOCK NUT, 1/2"-13
14	XB-CTP-014-59	COTTER PIN, 3/16" X 1 1/2"
15	XB-PW-016-08	FLAT WASHER
16	SPO202-01	ADJUSTABLE TORQUE ARM ASSEMBLY
17	SPO224	FIXED TORQUE ARM ASSEMBLY
18	XB-SP0050-72	HEX CAP SCREW, 7/8"-14 X 5 1/2"
19	XB-SP0050-75	HEX CAP SCREW, 7/8"-14 X 4 13/16"
20	XB-SP0012-36	FLANGE LOCK NUT, 7/8"-14
21	SP0142-01	SPRING SEAT, 3/4" 16" RH
	SP0142-02	SPRING SEAT, 1 1/4" 16.5" RH
	SP0142-03	SPRING SEAT, 1 3/4" 17" RH
	SP0142-04	SPRING SEAT, 2 1/4" 17.5" RH
22	SP0099	BOTTOM PLATE 5" ROUND AXLE
23	XB-SP0074-H	U-BOLT, FLAT TOP, 8.88"
	XB-SP0074-J	U-BOLT, FLAT TOP, 9.38"
	XB-SP0074-K	U-BOLT, FLAT TOP, 9.88"
	XB-SP0074-L	U-BOLT, FLAT TOP, 10.38"
24	XB-SP0011-44	HEX NUT, 3/4"-16
25	XB-SP0016-67	HARDENED FLAT WASHER
26	XB-SP0205-01	SPRING, LOW ARCH

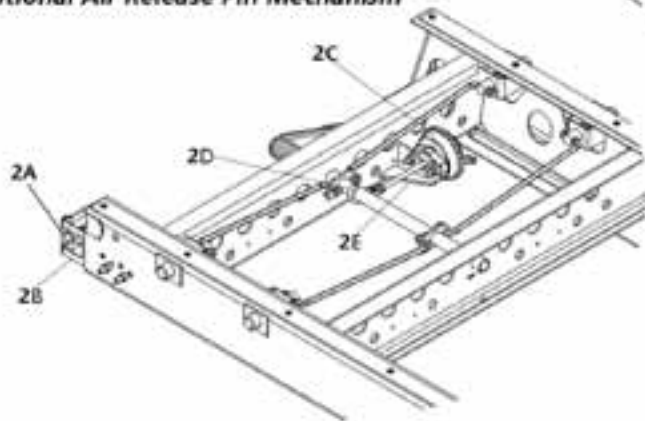
Item	Part Number	Description
27	XB-SP0203	SPRING LINER, UPPER
28	XB-SP0204	SPRING LINER, LOWER
29	SPO202-09	CROSS ARM ASSEMBLY, 42" FRAME WIDTH
	SPO202-10	CROSS ARM ASSEMBLY, 48" FRAME WIDTH
30	SP0278-42	LOWER BEAM, REAR W/O AIR LEVEL, 42" FRAME WIDTH
	SP0278-48	LOWER BEAM, REAR W/O AIR LEVEL, 48" FRAME WIDTH
	SP0284-42	LOWER BEAM, REAR W/ AIR LEVEL, 42" FRAME WIDTH
	SP0284-48	LOWER BEAM, REAR W/ AIR LEVEL, 48" FRAME WIDTH
31	XB-SPN-053-36	SHOCK ABSORBER
32	XB-SP0050-99	HEX CAP SCREW, 3/4"-10 X 3 1/4"
33	XB-SP0012-49	SELF LOCKING NUT, 3/4"-10
34	XB-SP0050-101	HEX HEAD CAP SCREW, 5/8"-11 X 5 1/4"
35	SPO221	SPACER SLEEVE
36	XB-SP0012-10	HEX NUT, SELF LOCKING, 5/8"-11
37	XB-SPN-053-60	AIR SPRING
38	XB-SP0050-100	HEX HEAD CAP SCREW, 7/8"-14 X 2 1/2"
39	XB-SP0012-51	HEX NUT, SELF LOCKING, 3/4"-16
40	XB-SP0012-52	HEX NUT, SELF LOCKING, 1/2"-13
41	XB-SPN-053-58	LEVELING VALVE
	XB-SPN-053-54	LEVELING VALVE, W/AUTO DUMP
42	XB-SPN-053-61	PRESSURE PROTECTION VALVE
43	XB-SPN-052--51	MANUAL SWITCH VALVE (NOT SHOWN)
44	XB-HHC-050-109	HEX HEAD CAP SCREW, 1/4"-20 X 2 1/2"
45	XB-SLN-012-60	LOCK NUT, 1/4"-20
46	XB-SPN-053-62	LINK, 10.50" LONG
47	SLOA1134-48/42	AIR LEVEL CAM
47A	SLOA1124	CAM BRACKET
47B	SLOA1129	BRACKET, AIR CHAMBER MOUNTING
47C	SLOA1123	SUPPORT SHAFT
47D	XB-SPG-020-34	EXTENSION SPRING
47E	SL0969	SERVICE CHAMBER
47F	XB-HHC-001-33	HEX CAP SCREW, 1/2"-13 X 1 1/4"
47G	XB-SLN-012-42	LOCK NUT, 1/2"-13
48	SPO277-42	LOWER BEAM, FRONT 42" FRAME WIDTH
	SPO277-48	LOWER BEAM, FRONT 48" FRAME WIDTH

HOLLAND BINKLEY CB400/4000 & CBX40 COMPONENTS



NOTE: Side rails and crossmembers cannot be replaced. If damaged, order complete slider, item No. 1.

Optional Air Release Pin Mechanism

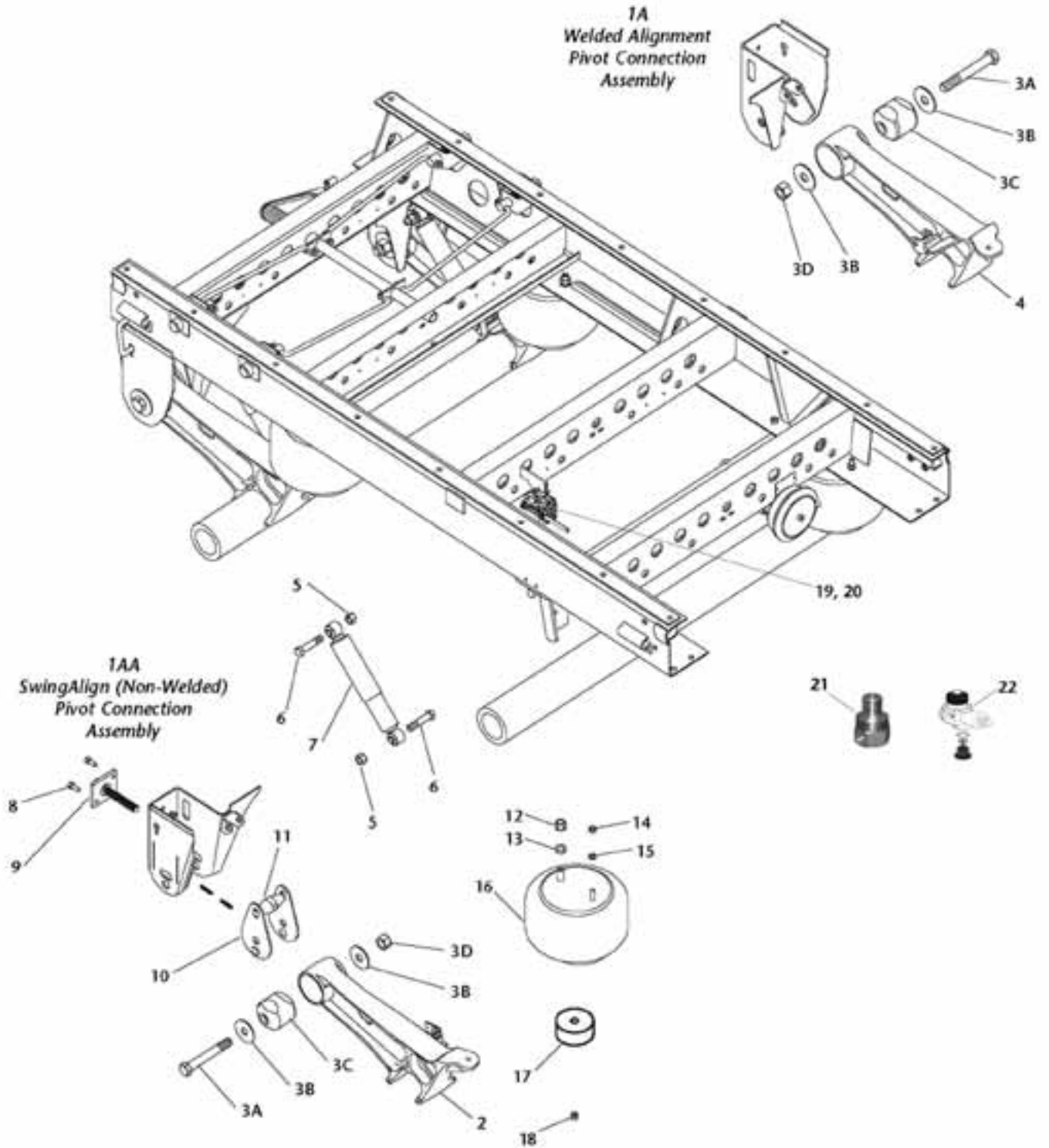


HOLLAND BINKLEY CB400/4000 & CBX40 COMPONENTS

Slider Box Chart			Part Number			
Item No.	Slider Rail Style	Frame Width	CB400-15.5" Ride Height	CB400-16" Ride Height	CB400-16.5" Ride Height	CB400-17" Ride Height
1	BINKLEY	42"	CL211Q11	CL221Q11	CL231Q11	CL241Q11
		48"	CL111Q11	CL121Q11	CL131Q11	CL141Q11
	HUTCH	42"	CH211Q11	CH221Q11	CH231Q11	CH241Q11
		48"	CH111Q11	CH121Q11	CH131Q11	CH141Q11
	TTMA	42"	CT211Q11	CT221Q11	CT231Q11	CT241Q11
		48"	CT111Q11	CT121Q11	CT131Q11	CT141Q11
	UTILITY	42"	CU211Q11	CU221Q11	CU231Q11	CU241Q11
		48"	CU111Q11	CU121Q11	CU121Q11	CU141Q11

Item	Part Number	Description
1	SEE CHART ABOVE	SLIDER ASSEMBLY, W/FRAME BRACKETS
1B	SLO893	HOLD DOWN BRACKET
1C	SLOA1277-01	TORSION CAM
1D	SLOA1273	PULL HANDLE CLIP
1E	XB-CTP-014-59	COTTER PIN, 3/16" X 1 1/2"
1F	SLOA1274	CAM PLATE
1G	SLOA1261	LOCK PIN, HUTCH STYLE, 1 5/8" DIAMETER
	SLOA1238	LOCK PIN, ALL OTHER STYLES, 1 3/8" DIAMETER
1H	XB-SPG-020-35	COMPRESSION SPRING
1J	SLOA1445-02	PULL HANDLE, 42" FRAME WIDTH
	SLOA1445-01	PULL HANDLE, 48" FRAME WIDTH
1K	SLOA1239-01	PIN PULL ROD, 42" FRAME WIDTH
	SLOA1239-02	PIN PULL ROD, 48" FRAME WIDTH
1L	XB-PW-016-85	WASHER, 1/2"
1M	XB-SLOA1054	SLIDER PAD, 96" LONG
1N	SLO423-07	SPACER (CAMSHAFT STOP)
1P	XB-ST5-008-16	SELF TAPPING SCREW, 5/16"-18 X 3/4"
1R	XB-HHC-001-33	BOLT, 1/2"-13 X 1 1/4"
1S	XB-SLN-012-42	LOCK NUT, 1/2"-13
2A	90560012	VALVE, PUSH PULL, 3/2 W/AIR PILOT RESET
2B	90026223	BRACKET, VALVE MOUNTING
2C	90548040	SPRING BRAKE SERVICE CHAMBER
2D	90045547	CAM, SPRING BRAKE
2E	90026227	BRACKET, SPRING BRAKE

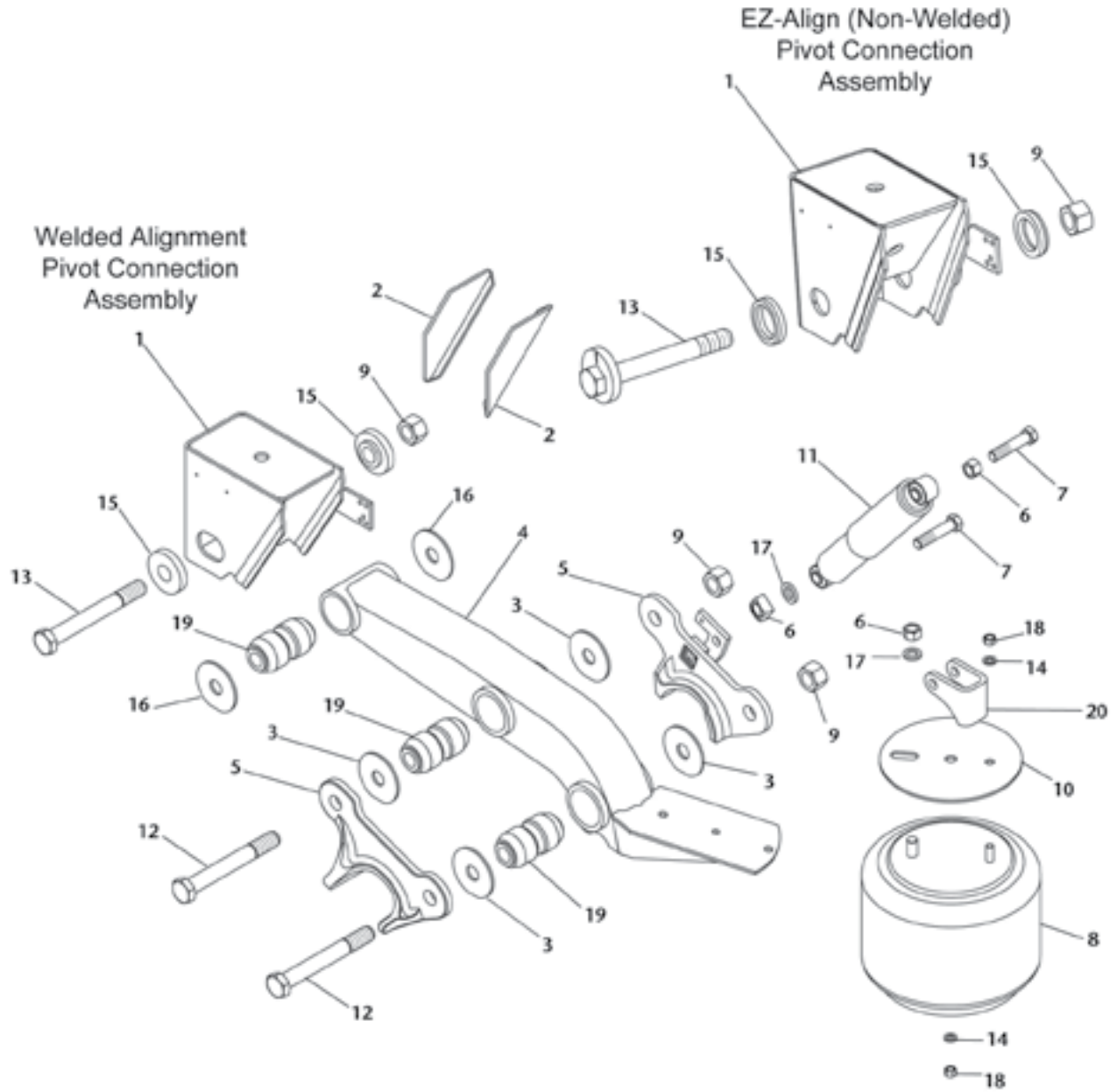
HOLLAND BINKLEY CB400/4000 & CBX40 COMPONENTS



HOLLAND BINKLEY CB400/4000 & CBX40 COMPONENTS

Item	Part Number	Description
1A	48100396	FRAME BRACKET, WELDED
1AA	48100395	FRAME BRACKET, SWING-ALIGN
2	48100449	EQUALIZING BEAM, R/S, 15.5" THRU 17" RH
	90548096	EQUALIZING BEAM, R/S, 18" RH
3A	93201070	PIVOT BOLT, 1 1/8"-7 X8.00" GR8
3B	93600553	PIVOT CONNECTION WASHER
3C	48100394	PIVOT BUSHING KIT (INCLUDES 3A, 3B & 3D)
3D	93400506	HEX LOCK NUT, 1 1/8"-7
4	48100450	EQUALIZING BEAM, C/S, 15.5" THRU 17" RH
	90548097	EQUALIZING BEAM, C/S, 18" RH
5	93400492	HEX LOCK NUT 3/4"-10
6	93006035	HEX BOLT 3/4"-10 X 3.50" GR5
7	90045298	SHOCK ABSORBER, 15.5" & 16" RH
	90044162	SHOCK ABSORBER, 16.5" & 17" RH
	90045040	SHOCK ABSORBER, 18" RH
8	XB-HHC-001-33	HEX BOLT 1/2"-13 X 1 3/4"
9	90548007	THREADED ROD ASSEMBLY
10	90531339	ALIGNMENT PLATE
11	90045491	SWING-ALIGN YOKE
12	93400149	HEX NUT 3/4"-16
13	93600077	WASHER 3/4"
14	93400136	HEX NUT , 1/2"-13
15	93600072	WASHER, 1/2"
16	48100492	AIR SPRING, 15.5" & 16" RH
	48100493	AIR SPRING, 16.5" RH
	48100494	AIR SPRING, 17" RH
	48100495	AIR SPRING, 18" RH
17	N/A	SPACER (NOT SOLD SEPARATELY)
18	93400623	FLANGE HEX NUT, 1/2"-13 GR8
19	90560122	HEIGHT CONTROL VALVE W/ INTEGRAL DUMP, LOW FLOW
	90560123	HEIGHT CONTROL VALVE W/O DUMP
	90560121	HEIGHT CONTROL VALVE W/ INTEGRAL DUMP, HIGH FLOW (NOT USED W/ POSI-LOK EQUIPPED UNITS)
20	90554771	HEIGHT CONTROL VALVE LINK, (ALL EXCEPT 18" RH)
	90554775	HEIGHT CONTROL VALVE LINK, 18" RH
21	90560109	PRESSURE PROTECTION VALVE (NEW STYLE)
22	90554107	OPTIONAL PRESSURE PROTECTION VALVE

HOLLAND NEWAY RL228 COMPONENTS

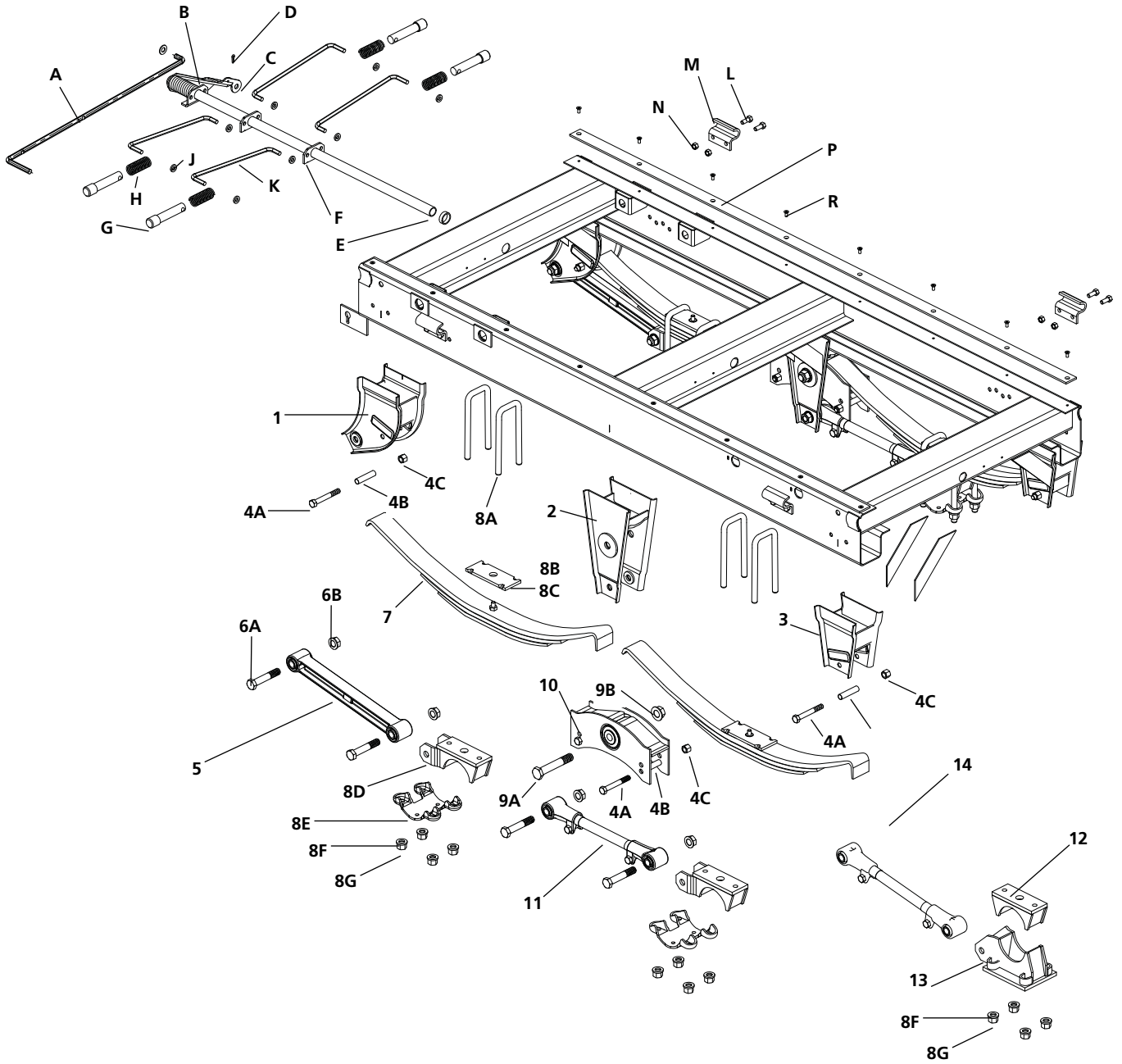


HOLLAND NEWAY RL228 COMPONENTS

Item	Part Number	Description
1	90521147	FRAME BRACKET, EZ-ALIGN, RL-228-14-3 & RL228-14-4
	90521148	FRAME BRACKET, EZ-ALIGN, RL-228-15-3
	90521149	FRAME BRACKET, EZ-ALIGN, RL-228-16-3 & RL228-17-3
	90520846	FRAME BRACKET, WELDED ALIGNMENT, RL228-12-3
	90521141	FRAME BRACKET, WELDED ALIGNMENT, RL228-14-3 & RL228-14-4
	90521142	FRAME BRACKET, WELDED ALIGNMENT, RL228-15-3
	90521143	FRAME BRACKET, WELDED ALIGNMENT, RL228-16-3 & RL228-17-3
2	90025257	ANGLE BRACE, RL-228-12-3 & RL228-14-3
	90025157	ANGLE BRACE, RL-228-14-4
	90023002	ANGLE BRACE, RL-228-15-3, RL228-16-3 & RL-228-17-3
3	90036217	SPACER WASHER, 1 1/8"
4	90516566	EQUALIZING BEAM, R/S, ALL EXCEPT RL-228-14-4
	90516654	EQUALIZING BEAM, R/S, RL-228-14-4
	90516567	EQUALIZING BEAM, C/S, ALL EXCEPT RL-228-14-4
	90516655	EQUALIZING BEAM, R/S, RL-228-14-4
5	90001340	AXLE ADAPTER, C/S, OUTBOARD
	90501462	AXLE ADAPTER, R/S, INBOARD
	90001341	AXLE ADAPTER, R/S, OUTBOARD
	90501463	AXLE ADAPTER, C/S, INBOARD
6	93400149	HEX NUT, 3/4"-10 (TOP OF AIR SPRING)
	93400492	HEX NUT, 3/4"-10 (UPPER SHOCK LOCK NUT)
	93400367	SQUARE NUT, 3/4"-10 (FOR LOWER SHOCK BOLT)
7	93003597	BOLT, 3/4"-10 X 3 1/2" (UPPER SHOCK LOCK NUT)
	93003609	BOLT, 3/4"-10 X 4 (FOR LOWER SHOCK BOLT)

Item	Part Number	Description
8	90557223	AIR SPRING, RL-228-12-3
	90557156	AIR SPRING, ALL EXCEPT RL-228-12-3 & RL-228-17-3
	90557157	AIR SPRING, RL-228-17-3
9	93400506	LOCK NUT, 1 1/8"
10	90033785	AIR SPRING MOUNTING PLATE
	90531245	AIR SPRING MOUNTING PLATE, UPPER W/ SHOCK BRACKET, RS
	90531246	AIR SPRING MOUNTING PLATE, UPPER W/ SHOCK BRACKET, CS
11	90044162	SHOCK ABSORBER, RL-228-12-3
	90044642	SHOCK ABSORBER, ALL EXCEPT RL228-12-3 & RL-228-17-3
	90044089	SHOCK ABSORBER, RL-228-17-3
12	93201051	BOLT, 1 1/8"
13	93201055	PIVOT BOLT, 1 1/8" WELDED ALIGNMENT, RL-228-12-3
	93201069	PIVOT BOLT, 1 1/8" EZ-ALIGN, ALL EXCEPT RL-228-12-3
14	93600072	WASHER, 1/2"
15	90008147	ALIGNMENT BLOCK, WELDED ALIGNMENT, RL-228-12-3
	90008198	ALIGNMENT BLOCK, WELDED ALIGNMENT, ALL EXCEPT RL-228-12-3
	90008238	ALIGNMENT BLOCK, EZ-ALIGN, ALL EXCEPT RL-228-12-3
16	90036177	WASHER, 1.14" DIA.
17	93600077	WASHER, 3/4"
18	93400136	NUT, 1/2"-13
19	90008149	PIVOT & AXLE BUSHING
20	90018515	UPPER SHOCK BRACKET

HOLLAND BINKLEY ULTRALITE 2 COMPONENTS



HOLLAND BINKLEY ULTRALITE 2 COMPONENTS

SLIDER BOX COMPONENTS		
Item	Part Number	Description
A	SLOA1269-02	PULL HANDLE, 42" FRAME WIDTH
	SLOA1269-01	PULL HANDLE, 48" FRAME WIDTH
	SLOA1269-03	PULL HANDLE, 54" FRAME WIDTH
B	SLOA1277-01	CENTER PIN PULL ASSEMBLY
C	XB-PW-016-08	RETAINER WASHER
D	XB-CTP-014-59	COTTER PIN, 3/16" X 1 1/2"
E	SL0523-07	SPACER
F	SLOA1274	TORSION CAM
G	SLOA1261	LOCK PIN, HUTCH STYLE, 1 5/8" DIA.
	SLOA1238	LOCK PIN, ALL OTHER STYLES, 1 3/8" DIA.
H	XB-SPG-020-35	COMPRESSION SPRING
J	XB-PW-016-85	WASHER, 1/2" (PIN PULL ROD)
K	SLOA1239-01	PIN PULL ROD, 42" FRAME WIDTH
	SLOA1239-02	PIN PULL ROD, 48" FRAME WIDTH
	SLOA1239-03	PIN PULL ROD, 54" FRAME WIDTH
L	XB-HHC-001-33	BOLT, 1/2"-13 X 1 1/4"
M	SL0893	HOLD DOWN CLIP
N	XB-SLN-012-42	LOCK NUT, 1/2"-13
P	XB-SLOA1054	SLIDER PAD, 96" LONG
R	XB-STS-008-16	SELF TAPPING SCREW, 5/16"-18 X 3/4"

SUSPENSION COMPONENTS		
Item	Part Number	Description
1	SP0100	FRONT HANGER, STRADDLE MOUNT
2	SP0110	CENTER HANGER, STRADDLE MOUNT
3	SP0120	REAR HANGER, STRADDLE MOUNT
4A	XB-SP0050-71	BOLT, 5/8"-11 X 4 1/2", GR5
4B	XB-SP0145	SPACER, 5/8"
4C	XB-SP0012-10	LOCK NUT, 5/8"-11
5	SP0143	FIXED TORQUE ARM W/BUSHINGS
6A	XB-SP0050-75	BOLT, 7/8-14 X 4 3/4", GR5
6B	XB-SP0012-36	FLANGE LOCK NUT, 7/8"-14
7	VARIOUS	SPRING (SUPPLIED BY MANUFACTURER)
8A	SEE CHART A	U-BOLT, 3/4" DIA. STANDARD & FRONT AXLE W/NO HOP
	SEE CHART B	U-BOLT, 3/4" DIA. REAR AXLE W/NO HOP OPTION
8B	SP0178	TOP PLATE
8C	SP0049	SPRING LINER
8D	SEE CHART A	SPRING SEAT, STANDARD & FRONT AXLE W/NO HOP OPTION
8E	SP0099	BOTTOM PLATE
8F	XB-SP0016-67	HARDENED WASHER, 13/16" ID X 1 15/16" OD
8G	XB-SP0011-44	HEX NUT, 3/4"-16 GR8
9A	XB-SP0050-73	BOLT, 1"- 14 X 6 1/16" GR5
9B	XB-SP0012-37	FLANGE LOCK NUT, 1"-14
10	SP0131	EQUALIZER W/BUSHING
11	SP0123	ADJUSTABLE TORQUE ARM W/BUSHINGS
12	SEE CHART B	SPRING SEAT, NO HOP (REAR AXLE ONLY)
13	SP0170	BOTTOM PLATE, NO HOP (REAR AXLE ONLY)
14	SP0169	ADJUSTABLE TORQUE ARM, NO HOP (REAR AXLE ONLY)

CHART A

Item	Spring Used	SPRING SEAT HEIGHT							
		3/4"	1 1/4"	1 3/4"	2 1/4"	2 3/4"	3 1/4"	3 3/4"	4 1/4"
8A	3 LEAF SPRINGS	XB-SP0074-J	XB-SP0074-K	XB-SP0074-L	XB-SP0074-M	XB-SP0074-P	XB-SP0074-R	XB-SP0074-S	XB-SP0074-T
	3 LEAF HD SPRINGS	XB-SP0074-K	XB-SP0074-L	XB-SP0074-M	XB-SP0074-P	XB-SP0074-R	XB-SP0074-S	XB-SP0074-T	XB-SP0074-U
	2 LEAF SPRINGS	XB-SP0074-H	XB-SP0074-J	XB-SP0074-K	XB-SP0074-L	XB-SP0074-M	XB-SP0074-P	XB-SP0074-R	XB-SP0074-S
	SINGLE LEAF SPRINGS	XB-SP0074-G	XB-SP0074-H	XB-SP0074-J	XB-SP0074-K	XB-SP0074-L	XB-SP0074-M	XB-SP0074-P	XB-SP0074-R
8D	SPRING SEATS	SP0142-01	SP0142-02	SP0142-03	SP0149-04	SP0149-05	SP0149-06	SP0149-07	SP0149-08

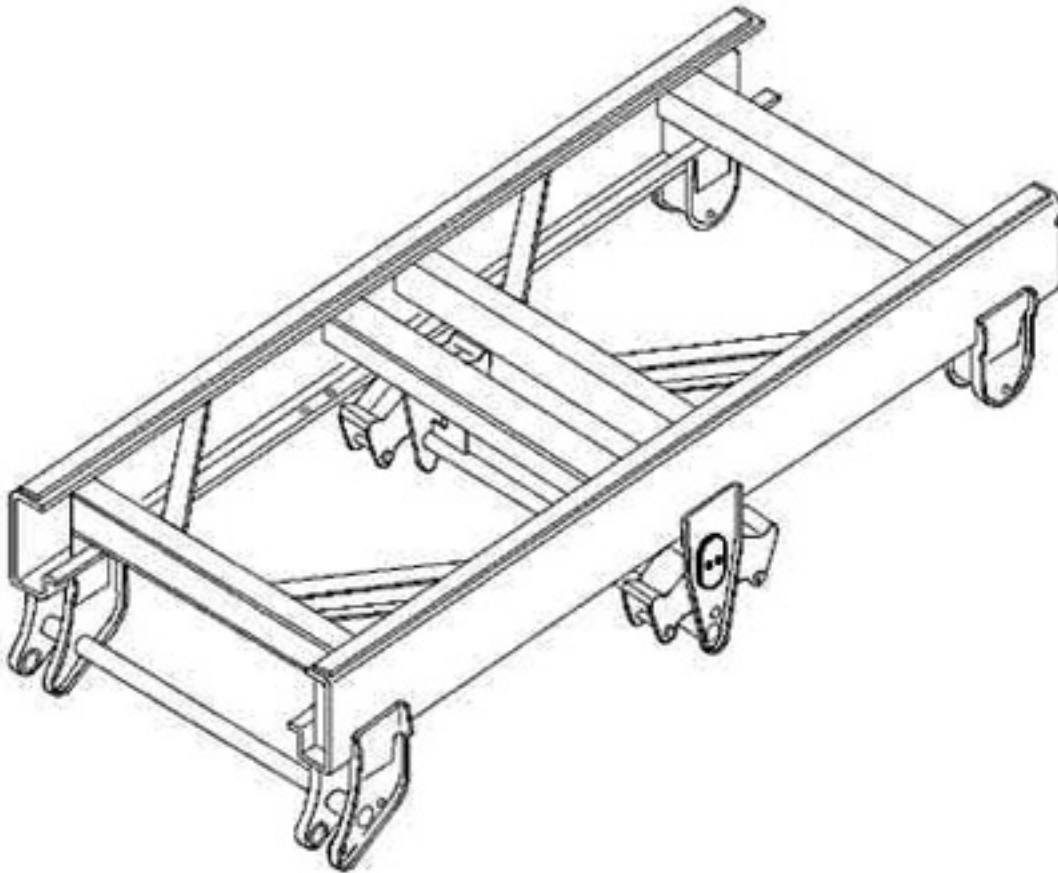
CHART B (WITH NO HOP OPTION)

Item	Spring Used	Description	SPRING SEAT HEIGHT			
			3/4"	1 1/4"	1 3/4"	2 1/4"
8A	3 LEAF SPRINGS	FRONT U-BOLT	XB-SP0074-J	XB-SP0074-K	XB-SP0074-L	XB-SP0074-M
		REAR U-BOLT	XB-SP0074-S	XB-SP0074-T	XB-SP0074-U	XB-SP0074-V
	3 LEAF HD SPRINGS	FRONT U-BOLT	XB-SP0074-K	XB-SP0074-L	XB-SP0074-M	XB-SP0074-P
		REAR U-BOLT	XB-SP0074-T	XB-SP0074-U	XB-SP0074-V	XB-SP0074-W
	2 LEAF SPRINGS	FRONT U-BOLT	XB-SP0074-H	XB-SP0074-J	XB-SP0074-K	XB-SP0074-L
		REAR U-BOLT	XB-SP0074-R	XB-SP0074-S	XB-SP0074-T	XB-SP0074-U
SINGLE LEAF SPRINGS	FRONT U-BOLT	XB-SP0074-G	XB-SP0074-H	XB-SP0074-J	XB-SP0074-K	
	REAR U-BOLT	XB-SP0074-P	XB-SP0074-R	XB-SP0074-S	XB-SP0074-T	
8D	SPRING SEATS	FRONT SEAT	SP0142-01	SP0142-02	SP0142-03	SP0149-04
12	SPRING SEATS	REAR SEAT	SP0172-01	SP0172-02	SP0172-03	SP0172-04

HOLLAND BINKLEY & HOLLAND NEWAY BUSHING KITS

PIVOT CONNECTION KITS		
Part Number	Model Used On	Description
48100264	RL228/230	SRK-203, WELDED ALIGNMENT, W/1055 BOLT USE WITH 3.13" DIA. ALIGNMENT BLOCK
48100384	RL228/230 RLU228	SRK-520, 1-EZ-ALIGN / 1-WELD ALIGN, W/1055 BOLT
48100385	RL228/230 RLU228	SRK-521, EZ-ALIGN
48100389	NS400/450	SRK-525, 1-EZ-ALIGN / 1-WELD ALIGN, W/1069 BOLT USE WITH 2.80" DIA. ALIGNMENT BLOCK
48100319	RL228/230 RLU228	SRK-456, WELDED ALIGNMENT, W/1069 BOLT
48100388	RL300 RLU250/300	SRK-524, WELDED ALIGNMENT, W/1069 BOLT
48100383		SRK-519, 1-EZ-ALIGN / 1-WELD ALIGN, W/1069 BOLT
48100386	RL250 RLU250	SRL-522, EZ-ALIGN
48100387		SRK-523, 1-EZ-ALIGN / 1-WELD ALIGN, W/1055 BOLT
48100202	RLU228	SRK-145, WELDED ALIGNMENT, W/1055 BOLT
48100394	CB400 CB2300	SRK-530

AXLE CONNECTION KITS		
Part Number	Model Used On	Description
48100328	RL228/230	SRK-0265 FOR 2PC AXLE ADAPTER
48100206	RL250 RL300 RLU228 RLU250/300	SRK-149 FOR 1PC AXLE ADAPTER
48100320	NS400/450	SRK-457

HOLLAND BINKLEY SLIDER SUBFRAMES

BINKLEY SLIDING SUBFRAMES

Part Number	Hanger Type	Width	Note
SLE98E480000N000	SP9000 ST/MT	48"	L/S 3 W/MUDFLAP BRKT
SLE98E-8B	SP9000 ST/MT	48"	L/S 4 NO MUDFLAP BRKT