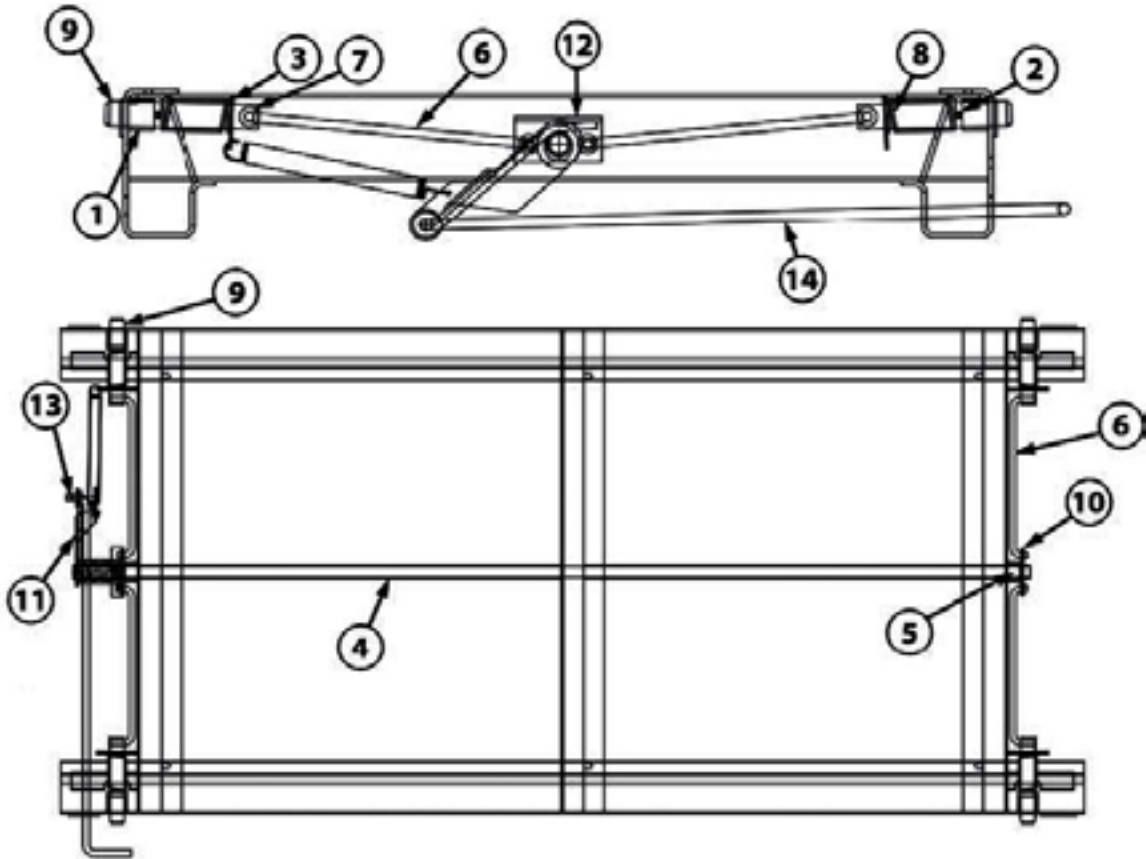


GREAT DANE MODEL B COMPONENTS



PARTS BREAKDOWN MODEL-B

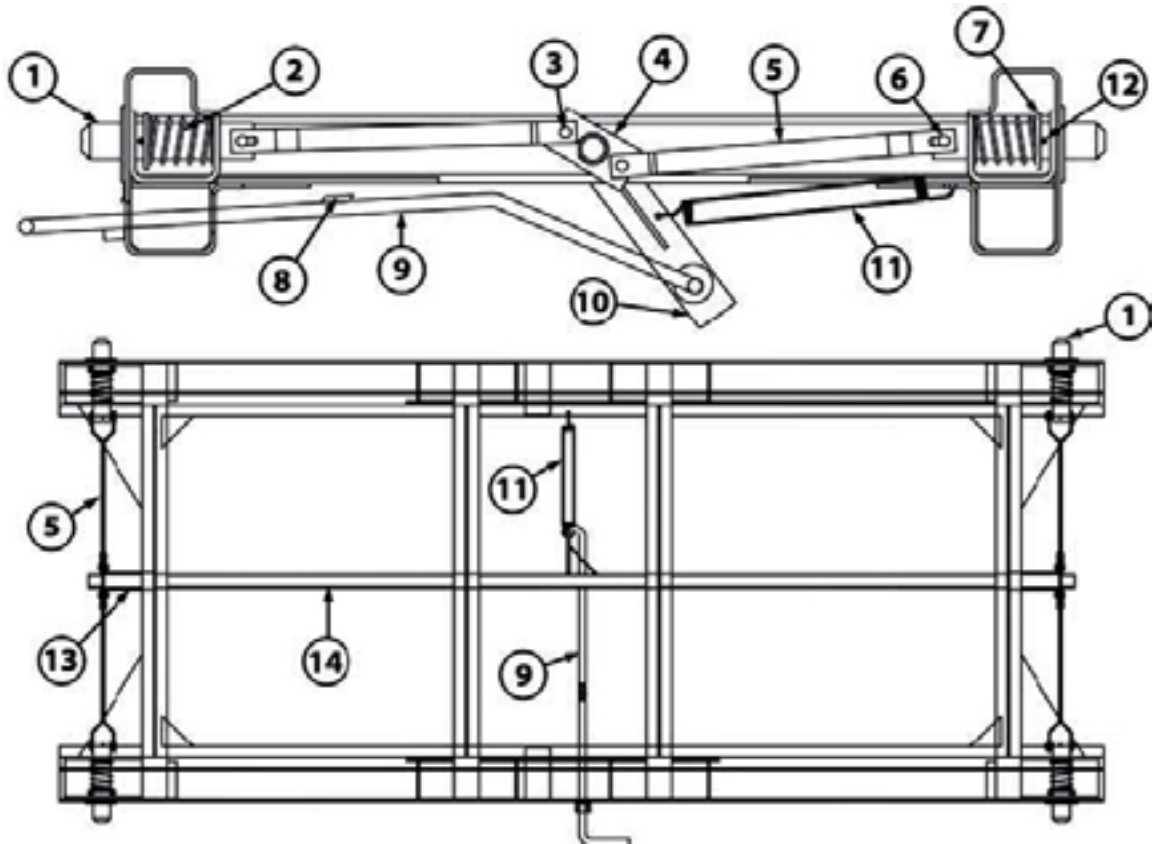
Item	Part Number	Description
1	SL0680	LOCK PIN GUIDE
2	46672	ROLL PIN .38" X 2.00"
3	15128	SUPPORT PLATE 3.00" X 4.00"
4	16968	CENTER PIPE 94.50"
5	15506	SPACER PIPE 1.25"
6	15581	PIN PULL ROD 12.94" (42" FRAME)
	15582	PIN PULL ROD 15.94" (48" FRAME)
7	42201021	WASHER .531"ID X .062"OD
8	46671	COMPRESSION SPRING 5.00"

Item	Part Number	Description
9	SL0450	SLIDE PIN 1.38" X 8.63"
10	15496	PIN PULL LEVER 4.63"
11	SL0258	TORSION SPRING
11A	SL0369-01	TORSION LEVER ARM
12	SL0758-01-PTD	TORSION CAM
13	42206002	COTTER PIN .13" X 1.00"
14	16966	PIN RELEASE HANDLE 32.85" (42" FRAME)
	16967	PIN RELEASE HANDLE 35.85" (48" FRAME)

GREAT DANE MODEL-B SLIDING SUBFRAME ASSEMBLIES

Part Number	Hanger Type	Width
30633283001	H9700 ST/MT	48"
10603001001	H9700 ST/MT	42"
10603002001	H9600 ST/MT	48"

GREAT DANE MODEL H COMPONENTS



PARTS BREAKDOWN MODEL-H

Item	Part Number	Description	Item	Part Number	Description
1	07195	SLIDE PIN 1.63" X 7.75"	9	07463	PIN RELEASE HANDLE 30.50" (42" FRAME)
2	44242	COMPRESSION SPRING 1.73" X 3.56"		13409	PIN RELEASE HANDLE 33.50" (48" FRAME)
3	41320	CLEVIS PIN .38" X .75"	10	15134	LOCKING MECHANISM LEVER 10.19"
4	07192	PIN PULL LEVER 4.00"	11	44244	SPRING 1.11"OD X 6.63" LONG (42" FRAME)
5	30632333	CLEVIS ASSEMBLY 15.50" (42" FRAME)		46121	SPRING 1.11"OD X 9.63" LONG (48" FRAME)
6	30632783	CLEVIS ASSEMBLY 18.50" (48" FRAME)	12	41321	ROLL PIN .25" X 2.50"
	41323	CLEVIS PIN .38" X 2.50"	13	07462	SPACER PIPE 4.88"
7	07976	WASHER 1.75"ID X 2.50"OD	14	16968	CENTER PIPE 94.50"
8	07204	STOP PIN			

GREAT DANE MODEL-H SLIDING SUBFRAME ASSEMBLIES

Part Number	Hanger Type	Width
30631564	H9700 ST/MT	42"
30632777	H9700 ST/MT	48"
30633583	H9600 ST/MT	42"
10602006001	H9600 ST/MT	48"