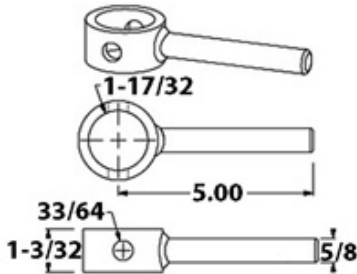
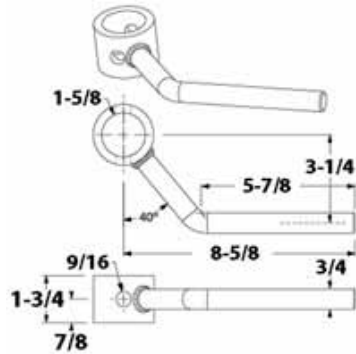




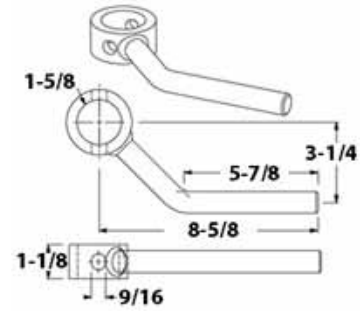
TWISTLOCK HANDLES



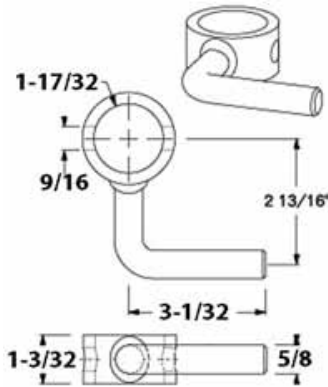
Part Number	Description
1107-3133-4	HANDLE FOR TWISTLOCK 3100, 3500, 3600 SERIES



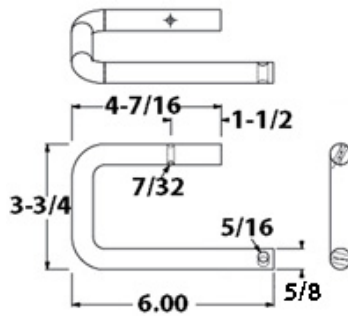
Part Number	Description
1107-1561	HANDLE FOR TWISTLOCK 3500, 3600, 3700 SERIES



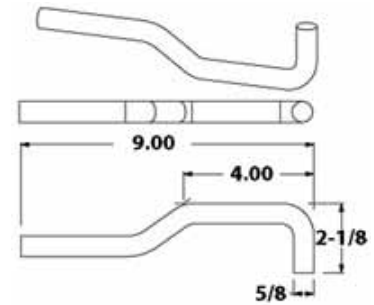
Part Number	Description
1107-1399	HANDLE FOR TWISTLOCK SCHULZ F66NS, ZINC



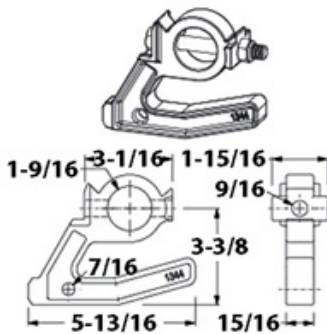
Part Number	Description
1107-3423-4	HANDLE FOR TWISTLOCK L-SHAPE NON HANDED



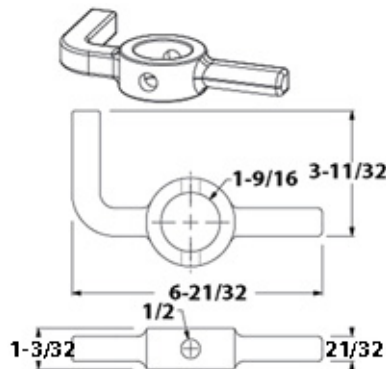
Part Number	Description
1107-1519-R	HANDLE FOR TWISTLOCK PENZ 90-03



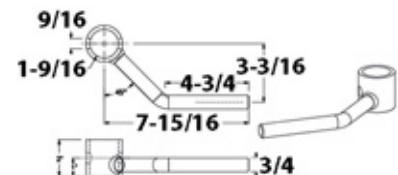
Part Number	Description
1107-1377	HANDLE FOR PINLOCK



Part Number	Description
1107-1344-KIT	HANDLE FOR TWISTLOCK W/ 1/2" BOLT SCHULZ F-33

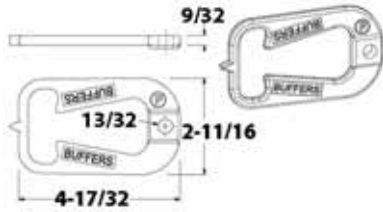


Part Number	Description
1107-3206-4	HANDLE FOR TWISTLOCK 3206, 3406 L/R

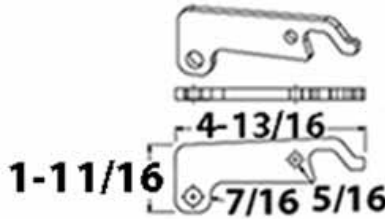


Part Number	Description
1107-1400-L	HANDLE FOR TWISTLOCK PENZ 90-34, LEFT (SHOWN)
1107-1400-R	HANDLE FOR TWISTLOCK PENZ 90-34, RIGHT

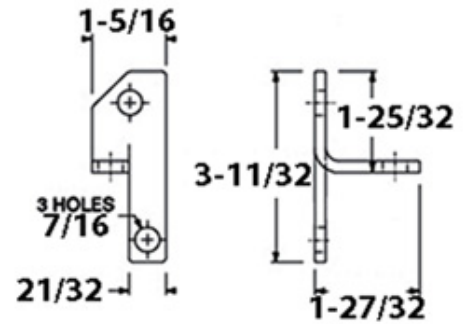
TWISTLOCK LATCHES



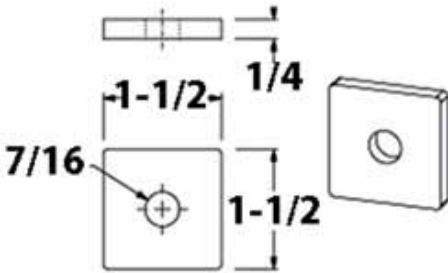
Part Number	Description
1108-1175-18	LATCH FOR PINLOCK NON HANDED, PRIMER



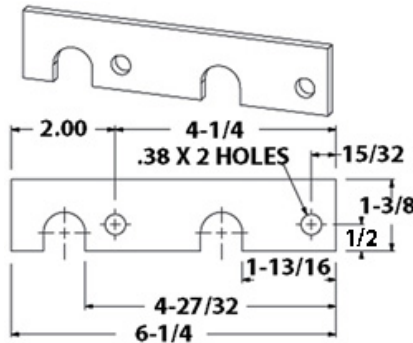
Part Number	Description
1108-1213-18	LATCH FOR PINLOCK 1213, 1318, ZINC



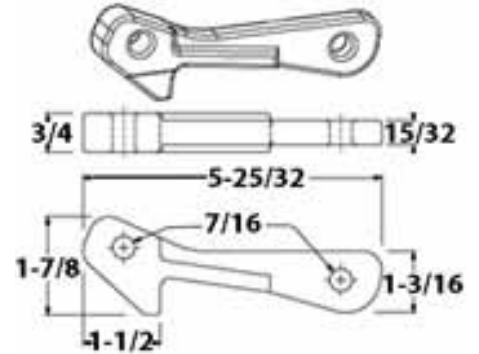
Part Number	Description
1108-1224-2L	LATCH FOR TWISTLOCK LEFT, ZINC (SHOWN)
1108-1224-2R	LATCH FOR TWISTLOCK RIGHT, ZINC



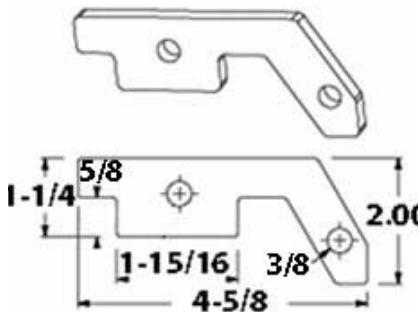
Part Number	Description
1108-1349	LATCH TAB PENZ 25-02, 25-04



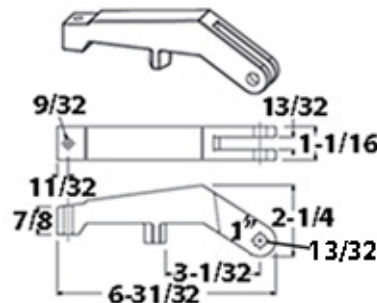
Part Number	Description
1108-1268	LATCH FOR PINLOCK ML-90, ZINC



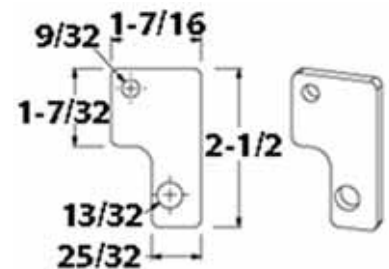
Part Number	Description
1108-1345	LATCH FOR TWISTLOCK SCHULZ F-33, PRIMER



Part Number	Description
1108-1350	LATCH FOR PINLOCK SCHULZ FB88-HL, ZINC



Part Number	Description
1108-1404	LATCH FOR PINLOCK SCHULZ FB88, PRIMER



Part Number	Description
1108-1417-18	LATCH FOR PINLOCK NON HANDED, ZINC